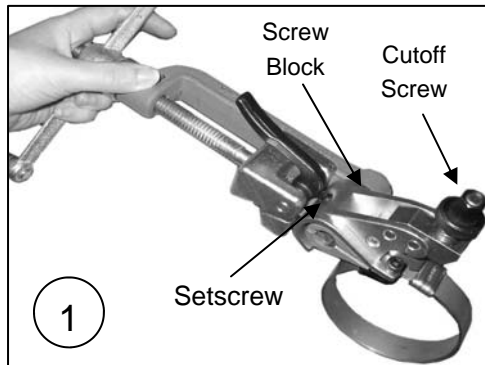
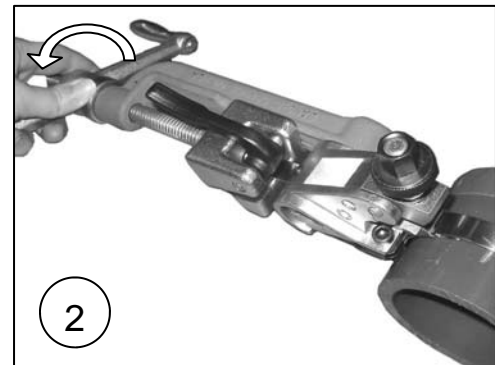


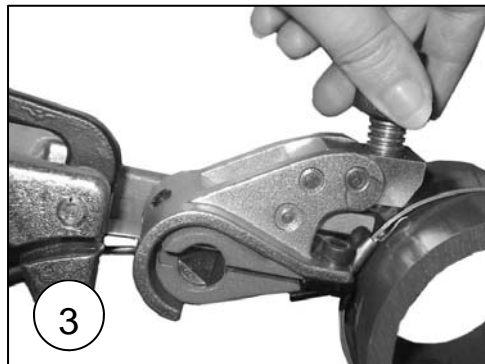
Installing a Band-It Junior Clamp



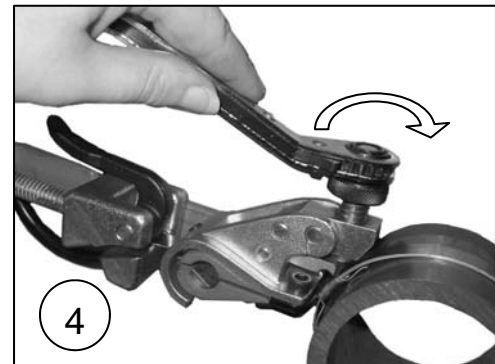
Place Heavy Duty Adapter on nose of BAND-IT Tool, positioned as shown. Cut-off screw should not extend beyond bottom of screw block. Line up tool and adapter slots and tighten two setscrews. Insert BAND-IT Junior or Junior SID clamp tail into adapter nose through all slots and grip end with band gripper lever.



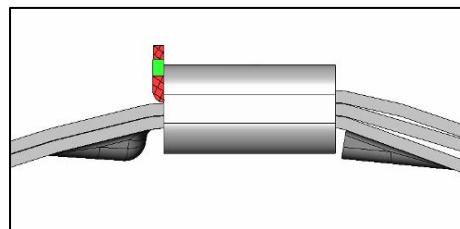
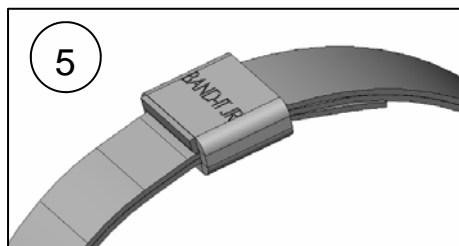
Install clamp over hose assembly. Tension clamp by turning handle of BAND-IT Tool clockwise.



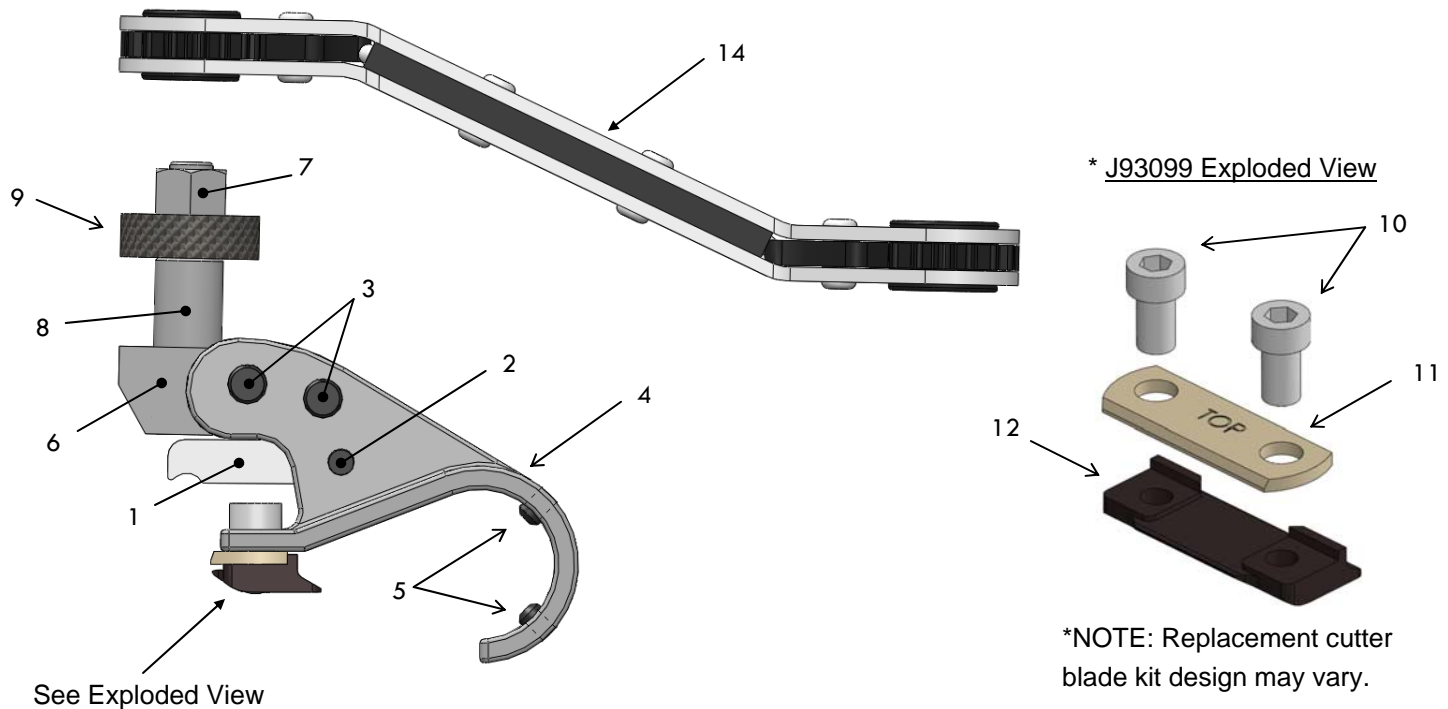
When properly tensioned, roll tool over hose, backing off tension handle $\frac{1}{4}$ to $\frac{1}{2}$ turn only, through course of rollover, (depending on type and size of hose) until shear hook grips buckle edge. Tighten knurled nut by hand, securing buckle tightly between edge of hook and nose of adapter.



Place ratchet wrench on hex nut. Operate wrench clockwise until clamp is sheared. Clamp is now locked and completed.



The finished BAND-IT Junior SID clamp lip lock will be bent upward 90° and have a cut-off edge (shown in green) that is flush to the edge of the buckle. Edges shown in red with hash marks are too high or too low and may result in lower lock strength or sharp edges.



Notes:

To assist in removing threaded parts, apply heat to soften locking compound.

When connecting item 9 (knob) or item 7 (nut) to item 8 (screw), clean threads (male and female) of foreign matter, then apply one drop of medium strength locking compound (Loctite 242 or equivalent) onto male thread and connect parts together.

Periodically check item 10 (screw) for tension. Loosened screws may result in assembly breakage.

Operating Tip: Keep the bolts tight (8-14 ft-lbs.). A loose bolt may cause cracking or premature wear of the cutter blade and/or backing plate. This could result in improper clamp tensioning, locking, and cutting.

Operating Tip: Keep the leading edges of the cutter blade and backing plate free of metal shavings. Metal shavings will result in clamp tail gouging during tensioning. **Clean and hone the leading edges by hand. Do not use power tools. Honing should polish surfaces, not remove material.**

J050 Heavy Duty Adapter, Repair Parts List			
Band-It Part No.	Item #	Description	Qty.
J00587	1	Shear Hook (Design may vary)	1
J00987	2	Pin, Grooved	1
J05187	3	Pin, Grooved	2
	4	Body	1
	5	Socket Head Screw	2
J06787	6	Screw Block	1
J06887	7	Hex Nut	1
	8	Jr. Adapter Screw	1
	9	Knob	1
J93099	10	Screw, Special	2
	11	Backing Plate	1
	12	Cutter Blade	1
	13	Hex Key, 3/16" (not shown)	1
J11985	14	Ratchet Wrench	1
J01387	15	Hex Key, 3/16" (not shown)	1

Refer to website for warranty information: <http://www.band-it-idex.com/warranty.html>