

# BAND-IT®



## Uncoated BAND-IT® Ties

*When you need more performance than a plastic cable tie can provide*



Fire hazards... corrosive environments... extreme temperatures... for many applications plastic cable ties are simply inadequate - or even dangerous.

- **Reusable** - BAND-IT® Uncoated Ties remain securely in place until you decide to remove them
- **Metal Detectable** - These stainless steel ties are ideal for use in food processing facilities
- **Won't Melt** - Unaffected by extreme heat or fire
- **Won't Crack** - Resistant to extreme cold or the sun's ultra violet rays
- **Will Withstand Harsh Environments** - Resistant to chemicals and salt spay
- **Quick, Easy Installation** - No tools required!



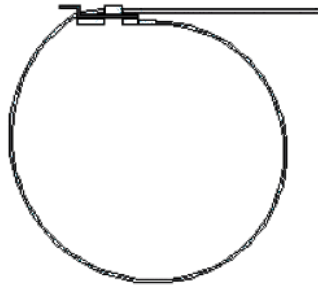
**NEW PRODUCT**

[www.band-it-idex.com](http://www.band-it-idex.com)

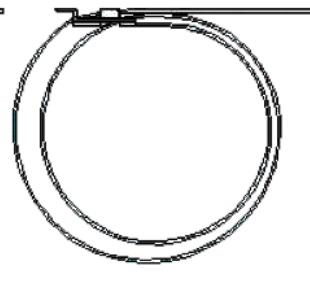
## Installation Instructions

1. Wrap BAND-IT® tie around object with the locking ears up. Wrap per diagram below.

*Single wrapped BAND-IT® Ties have superior strength when compared to plastic ties.*



**Single Wrap**

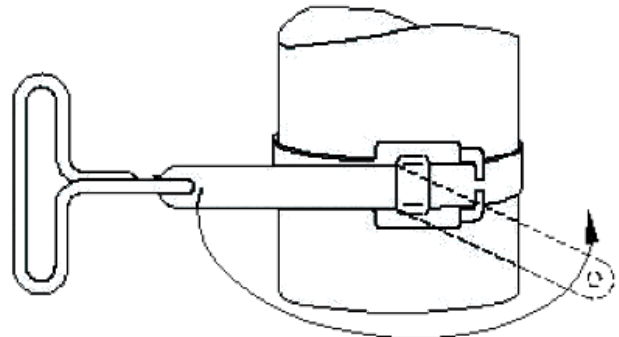


**Double Wrap**

*Double wrapped BAND-IT® Ties are 5x stronger than single wrap.*

2. Tighten BAND-IT® ties with one of these (listed in order of increasing tension):

- By hand,
- AE2018 Tensioning Hook,
- AE2009 Tensioning Tool,
- C07569 Bantam Tool.

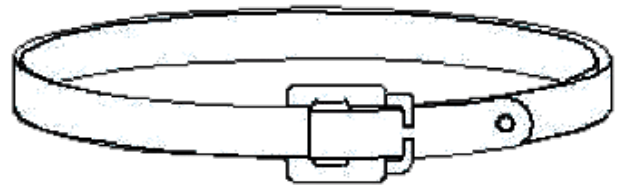


3. Bend tail back over raised bridge.

4. Secure tail under ears by slightly pushing the tail sideways and down, first one way then the other.

5. Tail may be left on for re-use.

6. Optional: Hammering down the bridge increases the strength of the lock, but will not allow the clamp to be re-used.



## Uncoated BAND-IT® Ties

Part No.	Material	Length		Width		Thickness		Package Quantity	Package wt	
		In.	(mm)	In.	(mm)	In.	(mm)		Lbs.	Kgs
AH1115	SS	6	152.4	1/4	6	0.015	0.38	50/BG	1.1	0.50
AH1125	SS	9	228.6	1/4	6	0.015	0.38	50/BG	1.5	0.68
AH1135	SS	12	304.8	1/4	6	0.015	0.38	50/BG	1.9	0.86
AH1145	SS	18	457.2	1/4	6	0.015	0.38	50/BG	2.5	1.13
AH1155	SS	24	609.6	1/4	6	0.015	0.38	50/BG	3.2	1.45
AH3115	SS	6	152.4	3/8	6	0.015	0.38	50/BG	1.6	0.75
AH3125	SS	9	228.6	3/8	10	0.015	0.38	50/BG	2.2	1.00
AH3135	SS	12	304.8	3/8	10	0.015	0.38	50/BG	2.7	1.22
AH3145	SS	18	457.2	3/8	10	0.015	0.38	50/BG	3.9	1.77
AH3155	SS	24	609.6	3/8	10	0.015	0.38	50/BG	4.9	2.22
AH3165	SS	30	762.0	3/8	10	0.015	0.38	50/BG	5.7	2.59
AH3175	SS	36	914.4	3/8	10	0.015	0.38	50/BG	6.8	3.08

*Also... see our complete line of Coated BAND-IT® Ties*