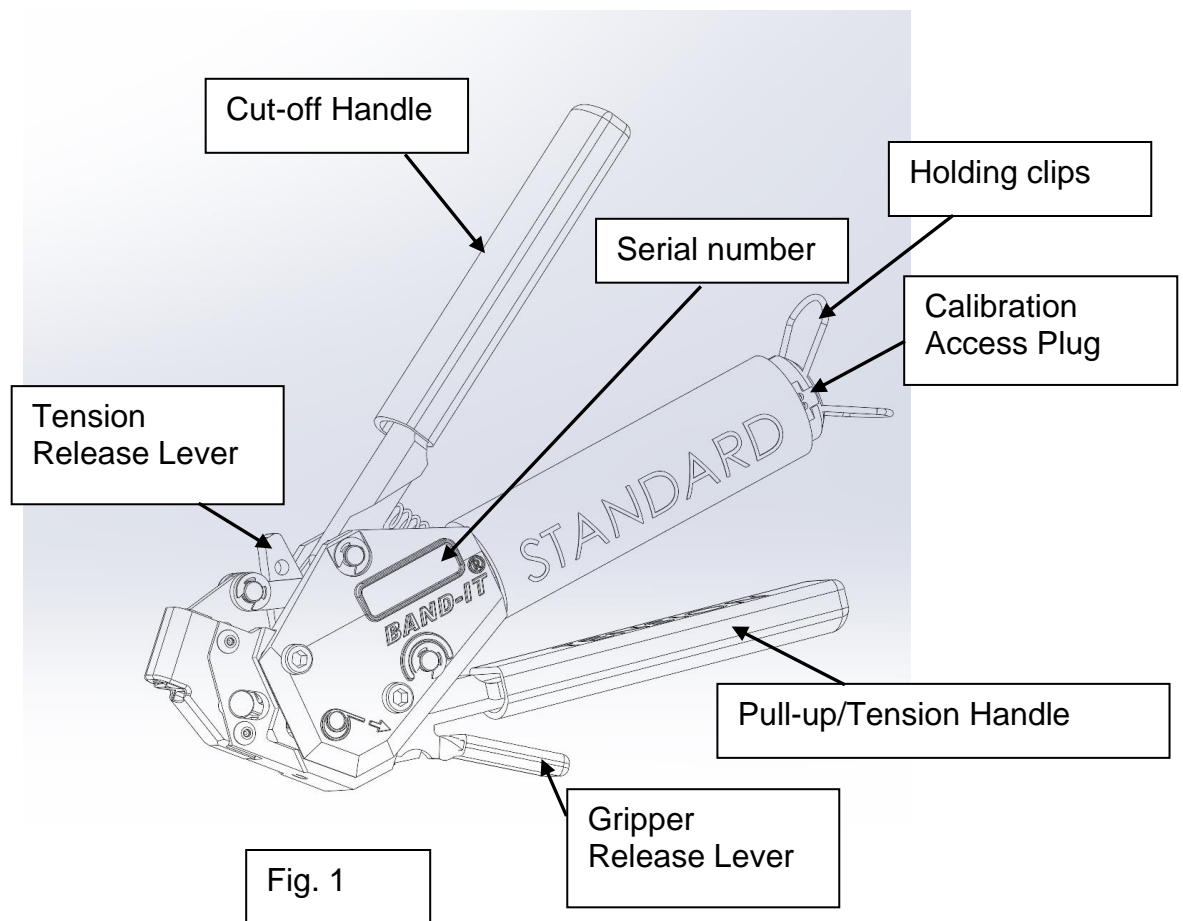
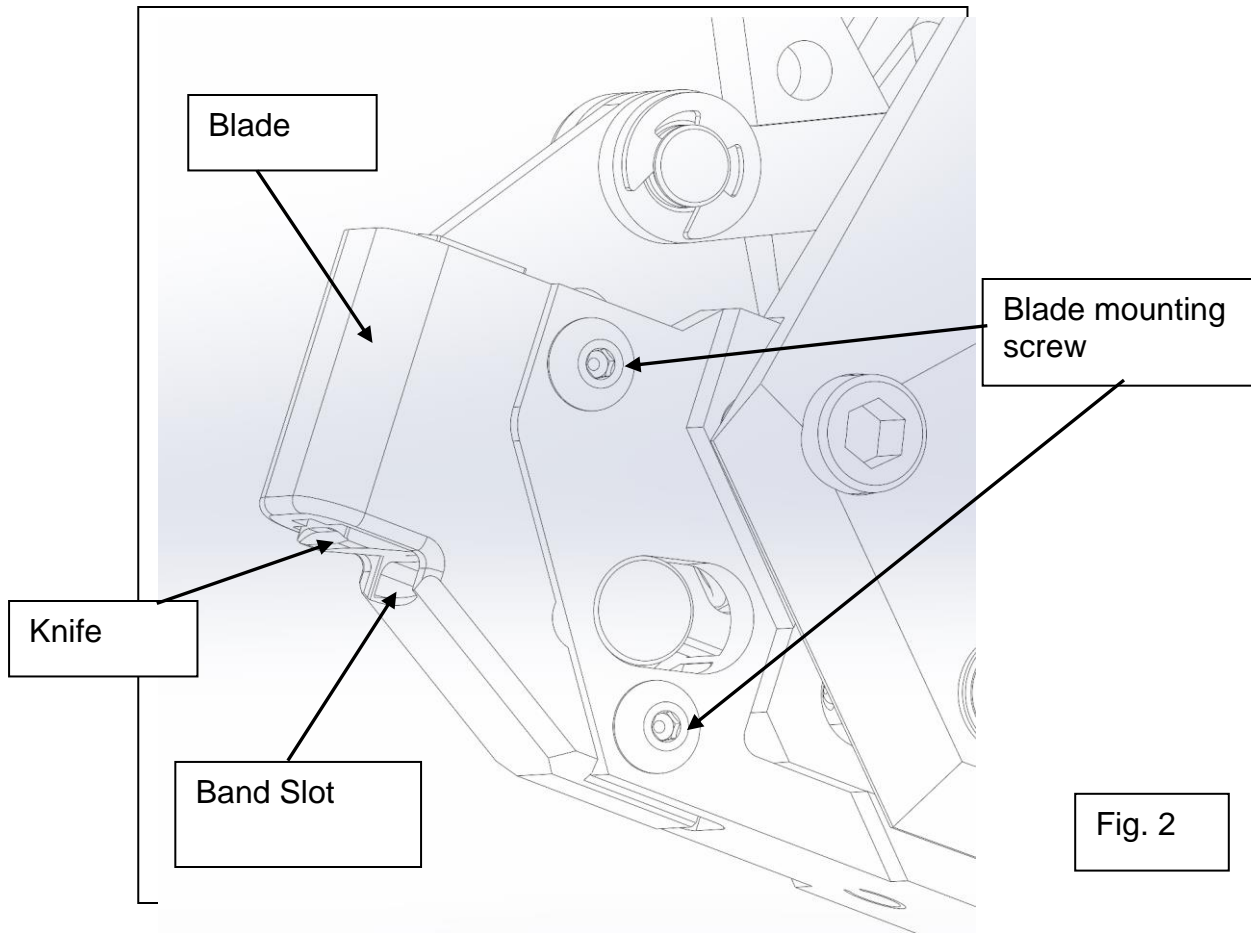


NOTES:

1. Instructions are for **Tie-Dex II "One-Piece" Tools**. Refer to P08787 Rev M for Tie-Dex II "Two-Piece" Tool operating instructions.
 - New A40199 and A30199 tool revision # K (Old rev# J)
 - Serial #: All tool S/N after 52512 will be new one-piece blade (rev# K)
2. Use only BAND-IT Tie-Dex Standard bands with A40199 tool and Tie-Dex Micro bands with A30199 tool.
3. To Free handles: Squeeze handle together and move holding clips to center.
4. To Install clamps: Follow instructions on page 3.
5. When tensioning band: Always let pull-up handle return to its original position. If pull-up handle is stuck in between strokes, push back down for full stroke. Correct tension is reached when tension release lever moves toward cut-off handle and locks pull-up handle against tool body.
6. Periodically check tightness of blade mounting screws and re-tighten if necessary.

Warning: For A40199 tool, adjusting tension above 160 lbf may damage tool or tie (or both). For A30199 tool, adjusting tension above 90 lbf may damage tool or tie (or both).





Replacement Parts (Table 1)

Tool Model	Serial Numbers	Cutter Blade Kit	Blade	Knife	Factory calibrated tension
A40199 1/4"	Above 52512	601-330	603-001	603-402	150 ±5 LBS
A30199 1/8"	Above 52512	601-329	603-201	603-202	80 ±5 LBS

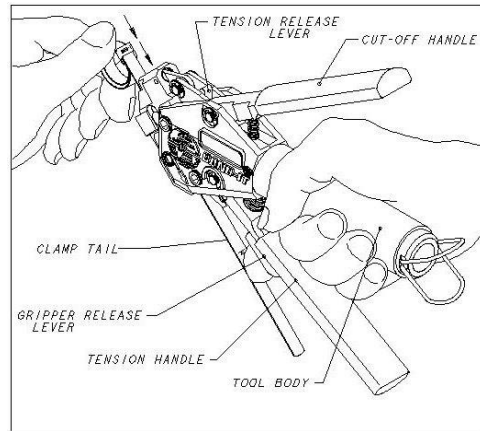
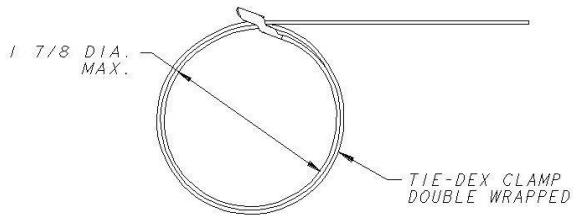
Operating Instructions



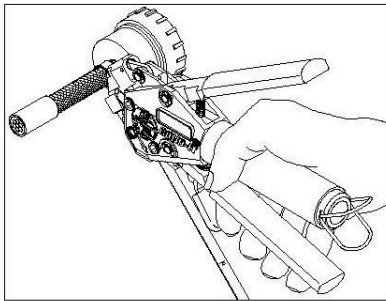
A30199 / A40199 Tie-Dex II Tool

1. Create double wrapped clamp by feeding end of band through narrow slot on buckle twice. Pull on clamp tail by hand to reduce loop diameter for faster installation on small objects. Squeeze gripper release lever and insert band as far as possible.

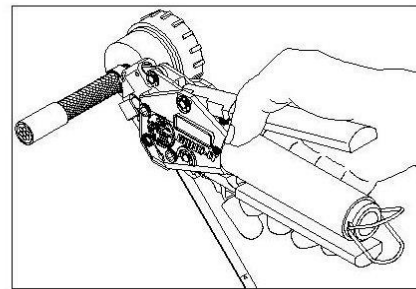
CAUTION: Never use band as a single wrapped clamp!



2. Repeatedly squeeze pull-up handle until handle locks against tool body. Always allow pull-up handle to return to its original position after each stroke. Correct tension is reached when pull-up handle locks against tool body.



3. Squeeze cut-off handle once against tool body to form lock and trim excess band. Tension handle will release. Remove band from tool.



4. To loosen or remove clamp before locking and cut-off, squeeze gripper release lever on tool and pull band out.
5. To loosen or remove clamp after pull-up handle locks against tool body, squeeze pull-up handle and push tension release lever forward. Let tension handle return to its original position, then use gripper release lever and pull band out.
6. Completed clamp may be covered with shrink wrap or tape for protection.

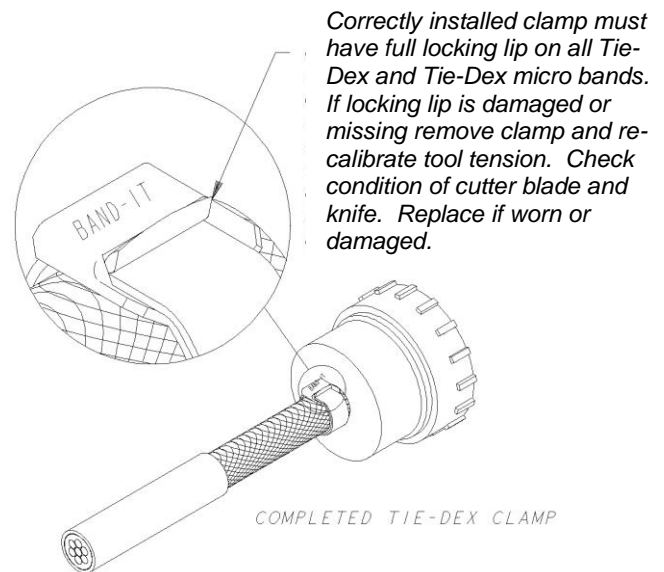
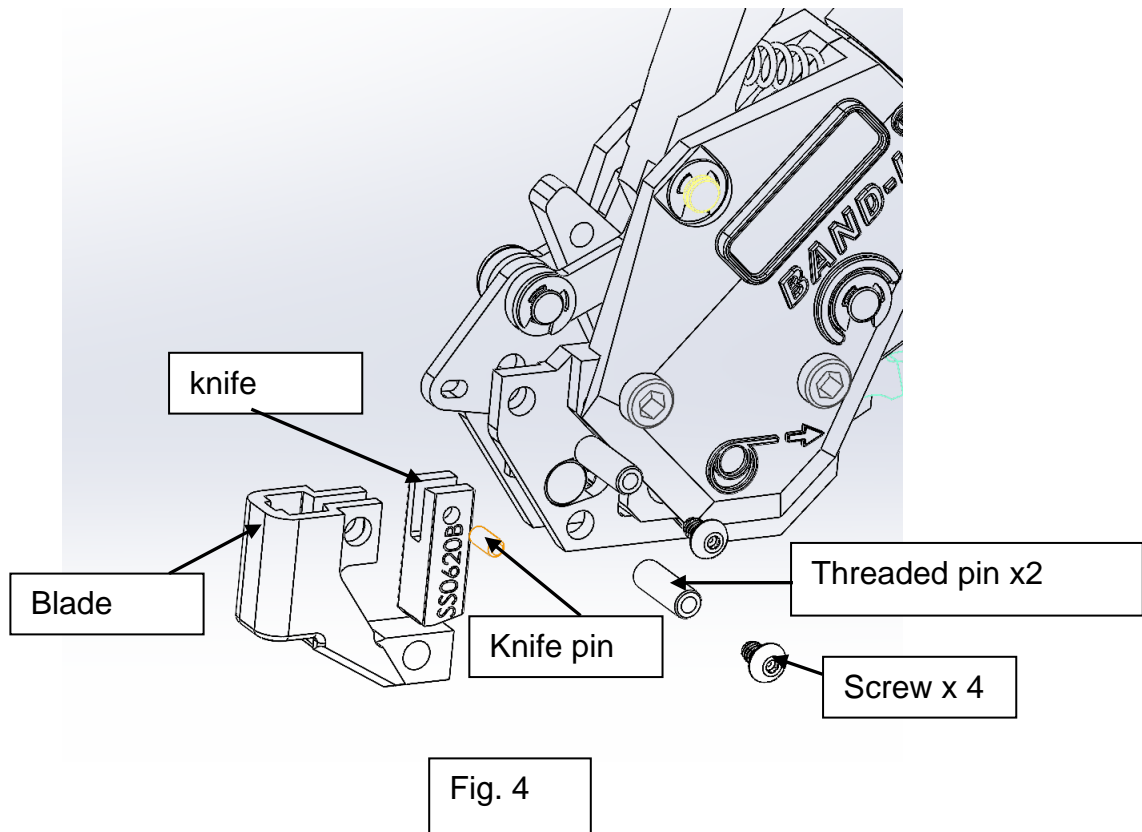


Fig. 3

To replace blade: Remove four screws and two threaded pins. Slide blade out. Assemble new blade with the two threaded pins and screws.

To replace knife: remove blade as described above. Remove knife pin, remove knife, and replace with new knife. Reinstall all parts in reverse order. Actuate cut-off handle to verify correct installation of components.



Refer to website for warranty information: <http://www.band-it-idex.com/warranty.html>

US Patent Number: 11034472